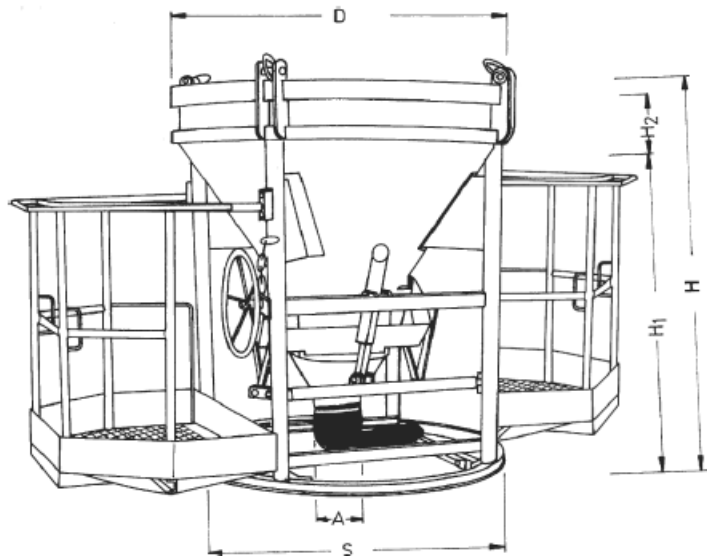
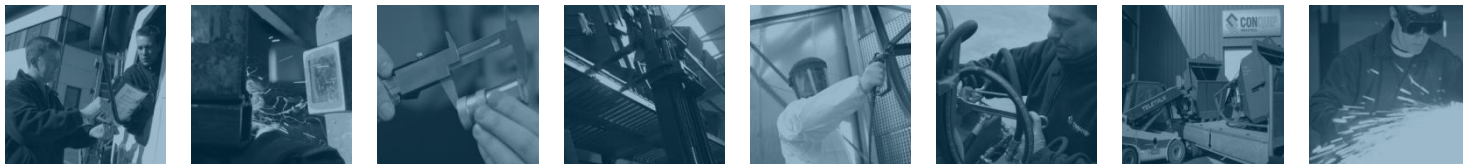


CS-212

2 Man Geared Concrete Column Skip



A geared column skip with man riding platforms either side, complete with safety rails. Two operators can travel with the skip, one to operate the discharge gate, the other can transport and operate the vibrating poker, thus eliminating the need for additional scaffolding. Supplied with four leg chain sling.



Cap.	D	A	H1	H2	H	Wt
500	1040	opt.	1350	300	1650	770
1000	1400	opt.	1350	340	1690	860
1250	1400	opt.	1350	500	1850	870
1500	1400	opt.	1350	650	2000	900

A: 200 Ø Standard 150, Ø 300, Ø optional

Lifting & Handling Solutions for the Construction Industry
Designed & Manufactured in the UK

Conquip Industrial, Waterbrook Estate, Waterbrook Road, Alton, Hampshire, GU34 2UD. United Kingdom
Telephone; +44 (0) 845 201 5030 Fax: +44 (0) 845 201 5031 E-Mail: sales@conquipindustrial.co.uk